

Cast Iron Non-catalytic Wood Stoves

Models • Defiant • Resolute Acclaim • Encore • Aspen

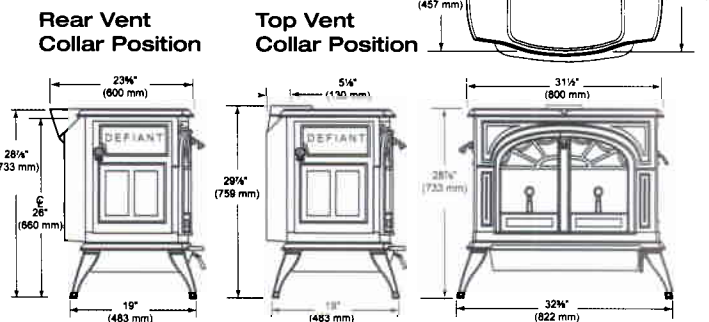


DEFIANT

Log Length: up to 24"
 Burn Time: up to 14 hours
 Heating Capacity*: up to 2,400 sq. ft.
 Maximum Heat Output: 60,000 BTUs/hr.
 Efficiency Rating: 69%
 EPA Emissions Rating: .75 grams/hr.
 Firebox Volume: 3.1 cubic feet
 Weight: 510 lbs.
 Flue Collar: 8" oval, reversible
 6" Adaptors available

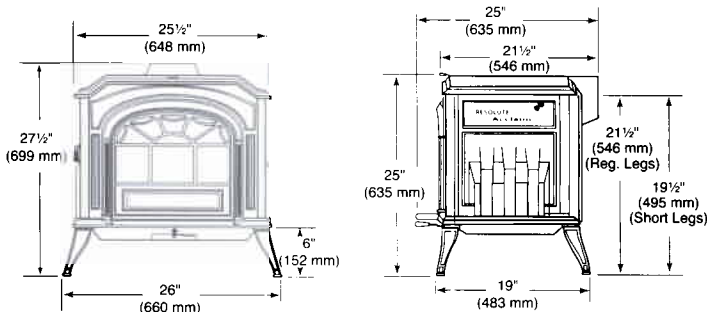
Second Cleanest
 Burning EPA Certified
 Wood Stove

Clearances (with optional collar and pipe heat shields and 8" chimney)
 Back: 11 1/4" (measured to back of stove)
 Corner: 25"
 See owner's manual



RESOLUTE ACCLAIM

Log Length: 16"
 Burn Time: up to 9 hours
 Heating Capacity*: up to 1,600 sq. ft.
 Maximum Heat Output: 40,000 BTUs/hr.
 Efficiency Rating: 72.1%
 EPA Emissions Rating: 3.4 grams/hr.
 Firebox Volume: 1.7 cubic feet
 Weight: 425 lbs.
 Flue Collar: 6" round, reversible
 Clearances (with optional stove and pipe heat shields)
 Back: 14" (measured to back of stove)
 Corner: 15"
 See owner's manual

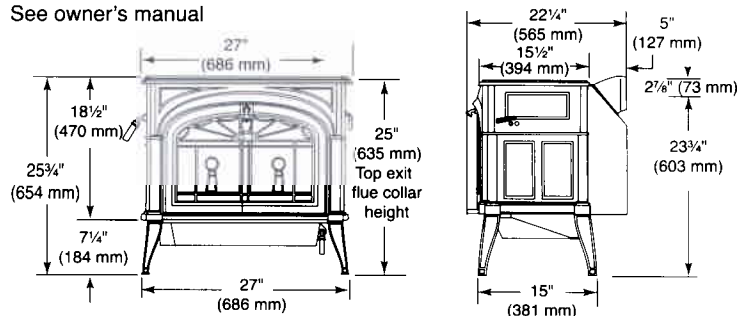


ENCORE

Log Length: up to 20"
 Burn Time: up to 10 hours
 Heating Capacity*: up to 1,900 sq. ft.
 Maximum Heat Output: 50,000 BTUs/hr.
 Efficiency Rating: 68%
 EPA Emissions Rating: 0.7 grams/hr.
 Firebox Volume: 2.1 cubic feet
 Weight: 395 lbs.
 Flue Collar: 8" oval, reversible
 Optional 6" collar (round)

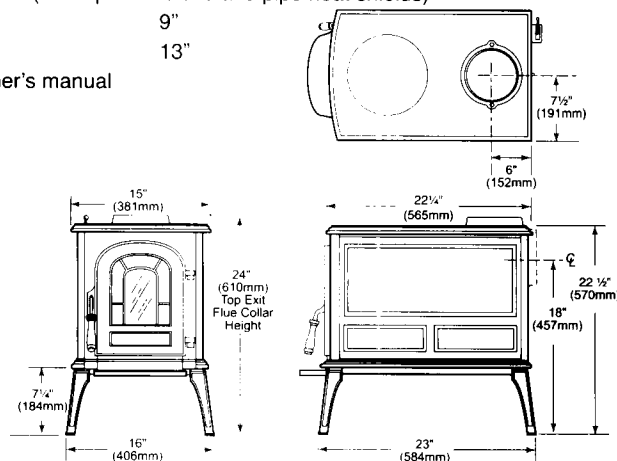
Cleanest Burning
 EPA Certified
 Wood Stove

Clearances (with optional collar and pipe heat shields)
 Back: 9 3/4" (measured to back of stove)
 Corner: 19"
 See owner's manual



ASPEN

Log Length: 16"
 Burn Time: up to 5 hours
 Heating Capacity*: up to 600 sq. ft.
 Maximum Heat Output: 18,000 BTUs/hr.
 Efficiency Rating: 69.5%
 EPA Emissions Rating: 4.3 grams/hr.
 Weight: 240 lbs.
 Flue Collar: 6" round, reversible
 Clearances (with optional stove and pipe heat shields)
 Back: 9"
 Corner: 13"
 See owner's manual



* Actual heating capacity will vary based on home construction, fuel and climate. Clearances shown are for quick reference only. See owner's manual for complete clearance and installation requirements specifications available on the website



A Brand of Monessen Hearth Systems Co.
 149 Cleveland Drive, Paris, Kentucky 40361
www.vermontcastings.com

To avoid personal injury or property damage, the product described by this brochure must be installed, operated and maintained in strict compliance with the instructions packaged with the product and all applicable building or fire codes. Contact local building or fire officials about restrictions and installation inspection requirements. All photographs and drawings on this brochure are for illustrative purposes only and are not intended for, nor should they be used as a substitute for the instructions packaged with the unit. Appearance and specifications of the product are subject to change without notice. © 2008 Monessen Hearth Systems Co.

Your Vermont Castings Dealer:

AXMEN
 7555 HIGHWAY 10 WEST
 MISSOULA, MT
 59808
 (406) 728-7022
www.axmen.com